

6.0~16.0 bar.g

(8 bar.g)

| (kW) |            | (rpm) | (m <sup>3</sup> /min) | (kW)  | (kW/m <sup>3</sup> /min) | S.F. |
|------|------------|-------|-----------------------|-------|--------------------------|------|
| 7.5  | AA-077 ( ) | 3420  | 1.0                   | 7.3   | 7.4                      | 0.97 |
| 11   | AA-077 ( ) | 5200  | 1.5                   | 11.0  | 7.2                      | 1.00 |
| 15   | AA-130 ( ) | 3420  | 2.0                   | 14.6  | 7.2                      | 0.97 |
| 18.5 | AA-210     | 2950  | 2.9                   | 19.4  | 6.7                      | 1.05 |
| 22   | AA-240     | 2950  | 3.5                   | 22.7  | 6.4                      | 1.03 |
| 37   | AA-420     | 2950  | 6.2                   | 38.2  | 6.1                      | 1.03 |
| 45   | AA-480R    | 2950  | 7.1                   | 47.5  | 6.7                      | 1.05 |
| 55   | AA-600R    | 2950  | 9.1                   | 57.6  | 6.3                      | 1.05 |
| 75   | AA-780R    | 2950  | 11.9                  | 73.3  | 6.1                      | 0.98 |
| 90   | AA-1030R   | 2950  | 15.7                  | 104.5 | 6.6                      | 1.08 |
| 110  | AA-1200R   | 2950  | 19.4                  | 115.5 | 5.9                      | 1.05 |
| 132  | AA-1320    | 2950  | 21.4                  | 139.5 | 6.5                      | 1.06 |
| 160  | AA-1560    | 2950  | 23.9                  | 151.6 | 6.3                      | 0.95 |
| 185  | AA-1900R   | 2950  | 29.8                  | 186.6 | 6.2                      | 1.01 |
| 250  | AA-2600    | 2950  | 40.7                  | 260.6 | 6.4                      | 1.04 |
| 315  | AA-3300    | 2950  | 50.0                  | 323.4 | 6.4                      | 1.03 |
| 355  | AA-5600G   | 1450  | 60                    | 376   | 6.26                     | 1.06 |

- 
- 
- 

15



# AB ( )



6.0~13.0 bar.g

- 
- 
- 

(8 bar.g)

| (kW) |            | (rpm) | (m <sup>3</sup> /min) | (kW)  | (kW/m <sup>3</sup> /min) | S.F. |
|------|------------|-------|-----------------------|-------|--------------------------|------|
| 7.5  | AB-077 ( ) | 3420  | 1                     | 7.3   | 7.4                      | 0.97 |
| 11   | AB-077 ( ) | 5200  | 1.5                   | 11    | 7.2                      | 1    |
| 15   | AB-130 ( ) | 3420  | 2                     | 14.6  | 7.2                      | 0.97 |
| 18.5 | AB-210     | 2950  | 2.9                   | 19.4  | 6.7                      | 1.05 |
| 22   | AB-240     | 2950  | 3.5                   | 22.7  | 6.4                      | 1.03 |
| 30   | AB-350RS   | 2950  | 4.7                   | 33.1  | 7.1                      | 1.1  |
| 37   | AB-420     | 2950  | 6.2                   | 38.2  | 6.1                      | 1.03 |
| 45   | AB-480R    | 2950  | 7.1                   | 47.5  | 6.7                      | 1.05 |
| 55   | AB-600R    | 2950  | 9.1                   | 57.6  | 6.3                      | 1.05 |
| 75   | AB-780R    | 2950  | 11.9                  | 73.3  | 6.1                      | 0.98 |
| 75   | AB-830     | 2950  | 12.9                  | 80.6  | 6.2                      | 1.07 |
| 90   | AB-1030R   | 2950  | 14.8                  | 95    | 6.4                      | 1.08 |
| 110  | AB-1200R   | 2950  | 19.4                  | 115.5 | 5.9                      | 1.05 |
| 132  | AB-1320    | 2950  | 21.4                  | 139.5 | 6.5                      | 1.06 |
| 132  | AB-1450R   | 2950  | 21.8                  | 135.8 | 6.2                      | 1.03 |
| 160  | AB-1560    | 2950  | 23.9                  | 151.6 | 6.3                      | 0.95 |
| 160  | AB-1560R   | 2950  | 24                    | 151.6 | 6.3                      | 0.95 |
| 185  | AB-1900R   | 2950  | 29.8                  | 186.6 | 6.2                      | 1.01 |
| 250  | AB-2600    | 2950  | 40.7                  | 260.6 | 6.4                      | 1.04 |
| 315  | AB-3300    | 2950  | 50                    | 323.4 | 6.4                      | 1.03 |



# AC ( )



6.0~10.0 bar.g

(8 bar.g)

| (kW) |         | (rpm) | (m <sup>3</sup> /min) | (kW) | (kW/m <sup>3</sup> /min) |   |
|------|---------|-------|-----------------------|------|--------------------------|---|
| 7.5  | AC-077  | 3600  | 1.03                  | 7.3  | 7.09                     | / |
| 11   | AC-077  | 5200  | 1.59                  | 11.0 | 6.92                     | / |
| 11   | AC-130  | 3000  | 1.92                  | 12.7 | 6.61                     | / |
| 15   | AC-130  | 3600  | 2.34                  | 15.6 | 6.67                     | / |
| 15   | AC-160E | 3000  | 2.30                  | 15.0 | 6.52                     |   |
| 22   | AC-240  | 3000  | 3.59                  | 23.0 | 6.41                     |   |
| 30   | AC-420S | 3000  | 4.50                  | 31.0 | 6.89                     |   |
| 37   | AC-420  | 3000  | 6.28                  | 38.9 | 6.19                     |   |

- 
- 
- 
-



6.0~10.0 barg

(8 bar.g)

| (kW) |                   | (rpm) | (m <sup>3</sup> /min) | (kW) | (kW/m <sup>3</sup> /min) | S.F. |
|------|-------------------|-------|-----------------------|------|--------------------------|------|
| 7.5  | AB-077PLUS<br>( ) | 3420  | 1.0                   | 7.3  | 7.4                      | 0.97 |
| 11   | AB-077PLUS<br>( ) | 5200  | 1.5                   | 11.0 | 7.2                      | 1.00 |
| 15   | AB-130PLUS<br>( ) | 3420  | 2.0                   | 14.6 | 7.2                      | 0.97 |
| 22   | AB-240PLUS        | 2950  | 3.5                   | 22.7 | 6.4                      | 1.03 |
| 37   | AB-420PLUS        | 2950  | 6.2                   | 38.2 | 6.1                      | 1.03 |

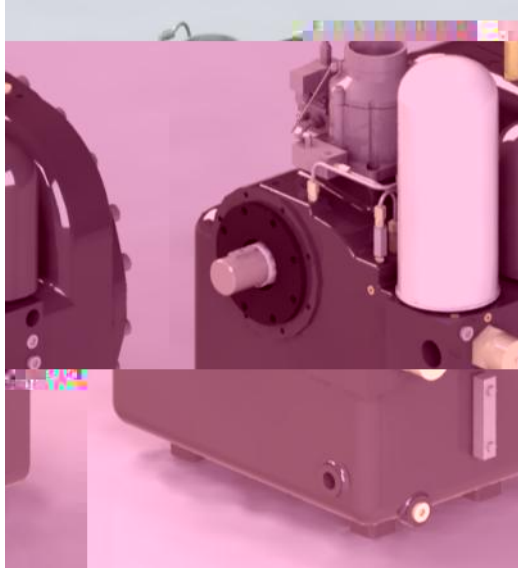
➤ AB ( ) AC

➤

➤



# AD ( )



6.0~13.0 bar.g

(8 bar.g)

| (kW) |        | (rpm) | (m <sup>3</sup> /min) | (kW) | (kW/m <sup>3</sup> /min) |   |
|------|--------|-------|-----------------------|------|--------------------------|---|
| 7.5  | AD-077 | 3600  | 1.03                  | 7.3  | 7.09                     | / |
| 11   | AD-077 | 5200  | 1.59                  | 11.0 | 6.92                     | / |
| 11   | AD-130 | 3000  | 1.92                  | 12.7 | 6.61                     | / |
| 15   | AD-130 | 3600  | 2.34                  | 15.6 | 6.67                     | / |
| 18.5 | AD-210 | 3000  | 2.9                   | 19.4 | 6.7                      | / |
| 22   | AD-210 | 3500  | 3.45                  | 23.4 | 6.78                     | / |
| 30   | AD-420 | 2400  | 5.00                  | 30.8 | 6.16                     | / |
| 37   | AD-420 | 3000  | 6.28                  | 38.9 | 6.19                     | / |



/











# AA-H ( )



17.0~35.0 bar.g

|                | (rpm) | (bar.g) | (m <sup>3</sup> /min) | (kW)  | (bar.g) |
|----------------|-------|---------|-----------------------|-------|---------|
| AA-040H<br>( ) | 2950  | 6.4     | 0.8                   | 17~33 | 30~40   |
| AA-140H<br>( ) | 2950  | 6.4     | 1.7                   | 51~65 | 30~40   |
| AA-1200RH      | 2950  | 0       | 17.6                  | 158.8 | 17      |
| AA-1900RH      | 2950  | 0       | 28.2                  | 252   | 17      |

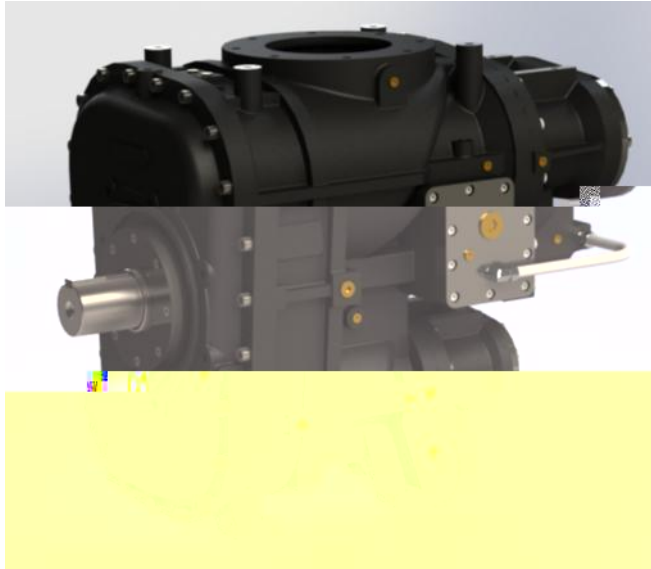
➤ 20CrMrTi ( )

5:6

➤



# AA-BX ( )



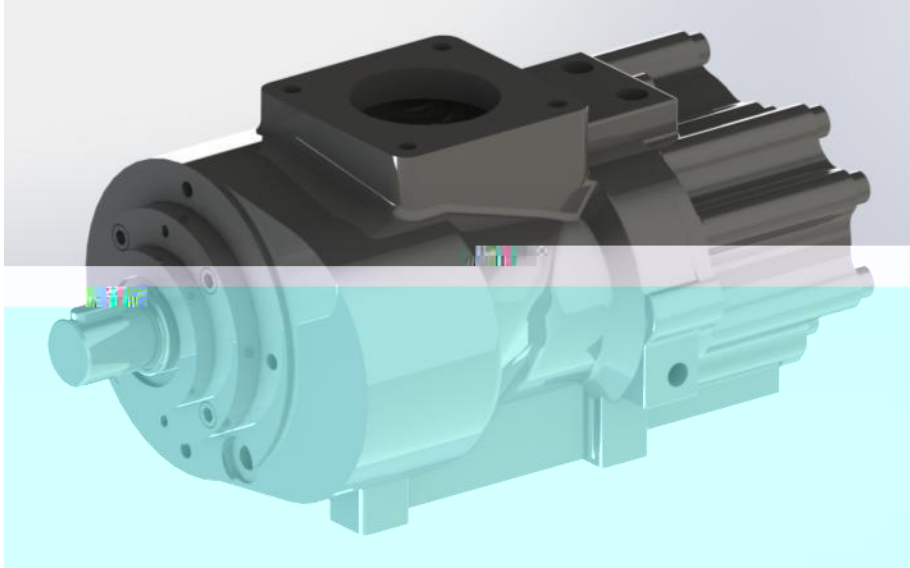
17.0~35.0 bar.g

|          | (rpm) | (m <sup>3</sup> /min) | (kW) | (bar.g) |
|----------|-------|-----------------------|------|---------|
| AA-600BX | 1490  |                       |      |         |
|          |       |                       |      |         |
|          |       |                       |      |         |





# AB-L ( )



3.0~5.5 bar.g

(5 bar.g) AB

| (kW) |          | (rpm) | (m <sup>3</sup> /min) | (kW) | (kW/m <sup>3</sup> /min) |
|------|----------|-------|-----------------------|------|--------------------------|
| 15   | AB-240L  | 2950  | 3.63                  | 15.7 | 4.33                     |
| 22   | AB-350RL | 2950  | 5.58                  | 25.9 | 4.64                     |
| 22   | AB-420L  | 2950  | 6.33                  | 28.9 | 4.57                     |
| 30   | AB-480RL | 2950  | 7.72                  | 34.4 | 4.46                     |
| 37   | AB-600RL | 2950  | 9.26                  | 47.2 | 5.10                     |
| 45   | AB-780RL | 2950  | 12                    | 55.5 | 4.63                     |
| 55   | AB-830L  | 2950  | 12.8                  | 59.6 | 4.66                     |
|      |          |       |                       |      |                          |
|      |          |       |                       |      |                          |
|      |          |       |                       |      |                          |
|      |          |       |                       |      |                          |
|      |          |       |                       |      |                          |
|      |          |       |                       |      |                          |
|      |          |       |                       |      |                          |
|      |          |       |                       |      |                          |



# AB-L-BX ( )



3.0~5.5 bar.g

(5 bar.g)

| (kW) |             | (rpm) | (m <sup>3</sup> /min) | (kW)  | (kW/m <sup>3</sup> /min) |
|------|-------------|-------|-----------------------|-------|--------------------------|
| 45   | AB-1030 B1L | 1490  | 11.5                  | 49.1  | 4.27                     |
| 55   | AB-1030 B2L | 1490  | 15.9                  | 69.7  | 4.38                     |
| 75   | AB-1030 B3L | 1490  | 18.7                  | 83.5  | 4.46                     |
| 90   | AB-1560 B2L | 1490  | 21.6                  | 99.1  | 4.59                     |
| 110  | AB-1560 B3L | 1490  | 24.3                  | 114.1 | 4.72                     |
|      | AB-3300 B1L | 1490  | 27.9                  | 123.4 | 4.42                     |
| 132  | AB-3300 B2L | 1490  | 32.3                  | 142.9 | 4.43                     |
| 150  | AB-3300 B3L | 1490  | 36.0                  | 160.2 | 4.45                     |
| 160  | AB-3300 B4L | 1490  | 40.7                  | 183.2 | 4.50                     |
|      | AB-5600 B1L | 1490  | 41                    | 172.6 | 4.21                     |
| 185  | AB-5600 B2L | 1490  | 45.3                  | 196.1 | 4.34                     |
| 200  | AB-5600 B3L | 1490  | 50.1                  | 222.6 | 4.44                     |
| 220  | AB-5600 B4L | 1490  | 54.4                  | 243.1 | 4.47                     |
| 250  | AB-5600 B5L | 1490  | 61.8                  | 279.1 | 4.52                     |

➤ 5:6

➤

➤

➤

➤

**Address** No. 108, JianGong Rd., Feng  
108

---